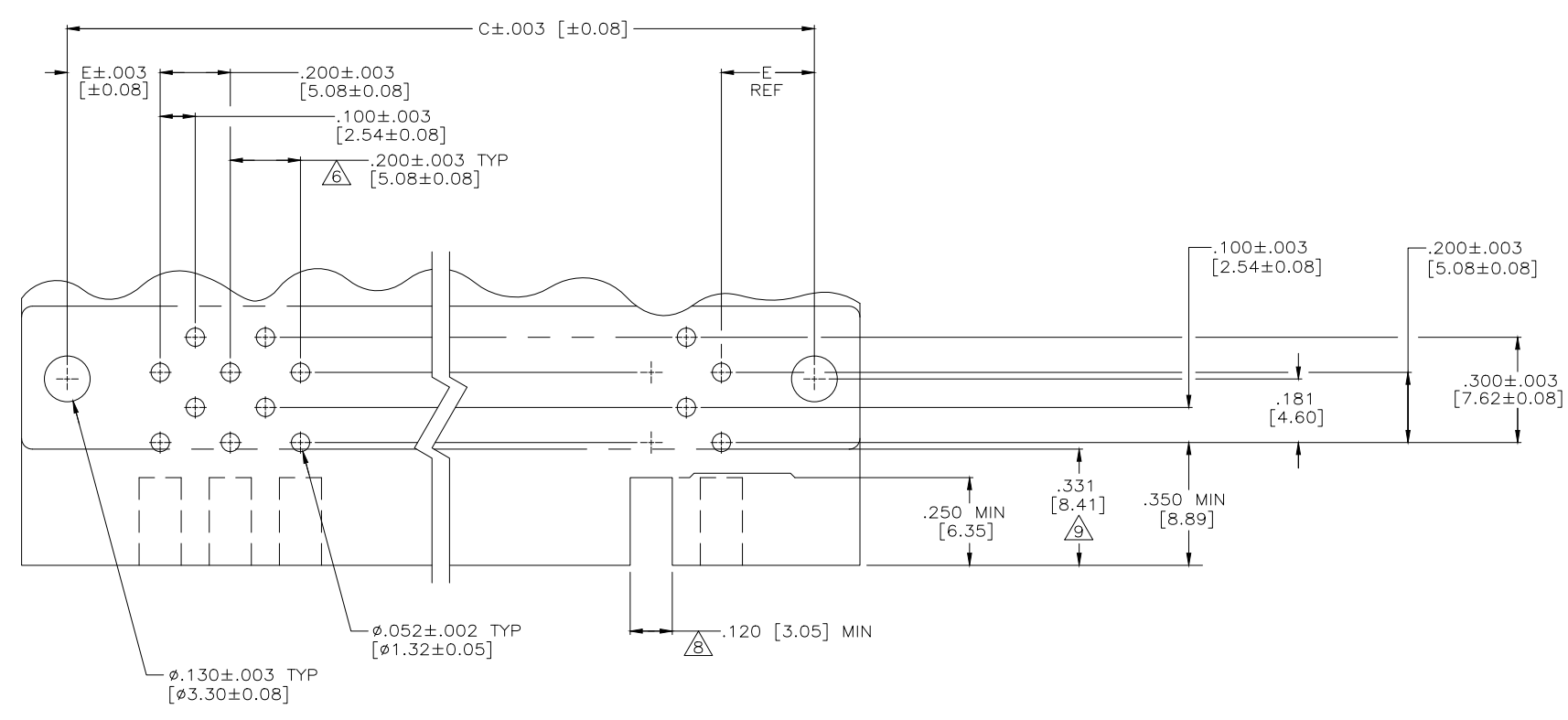
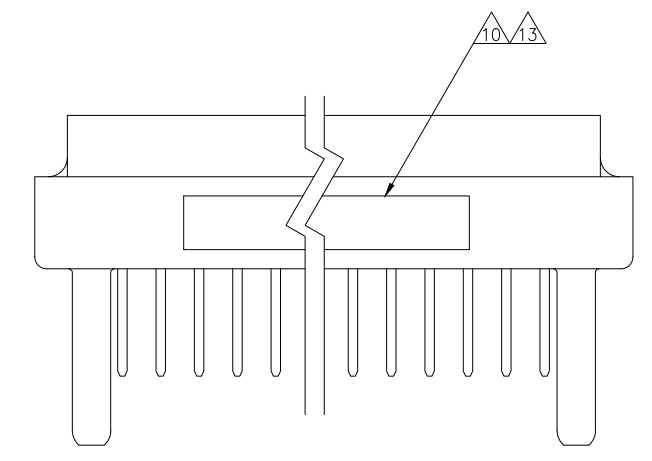
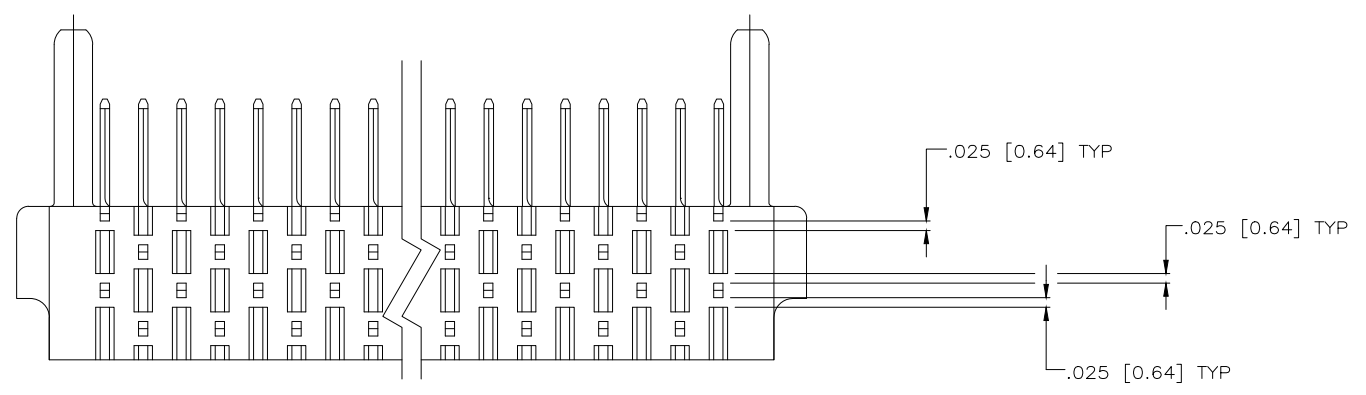
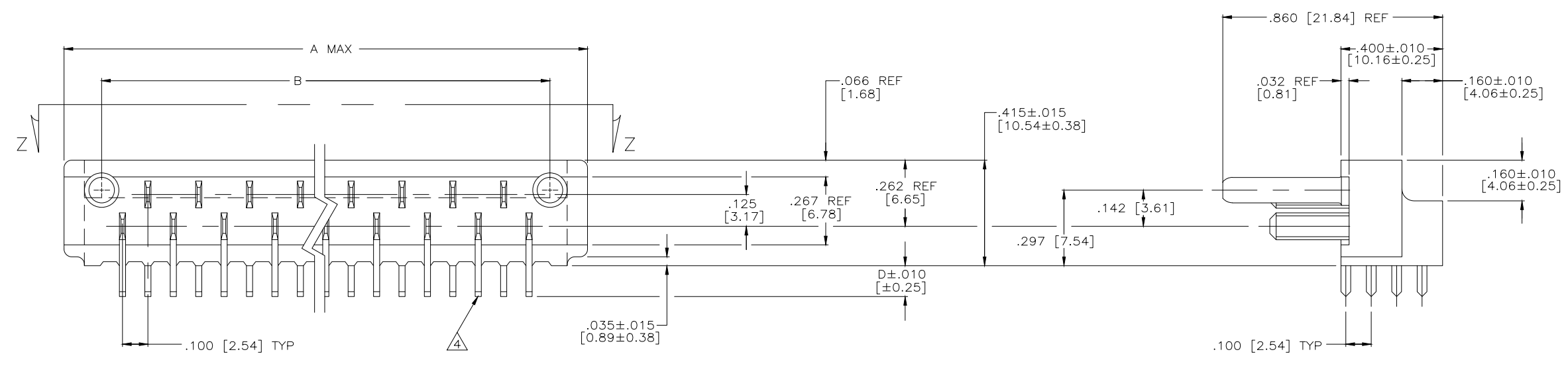


VIEW Z-Z

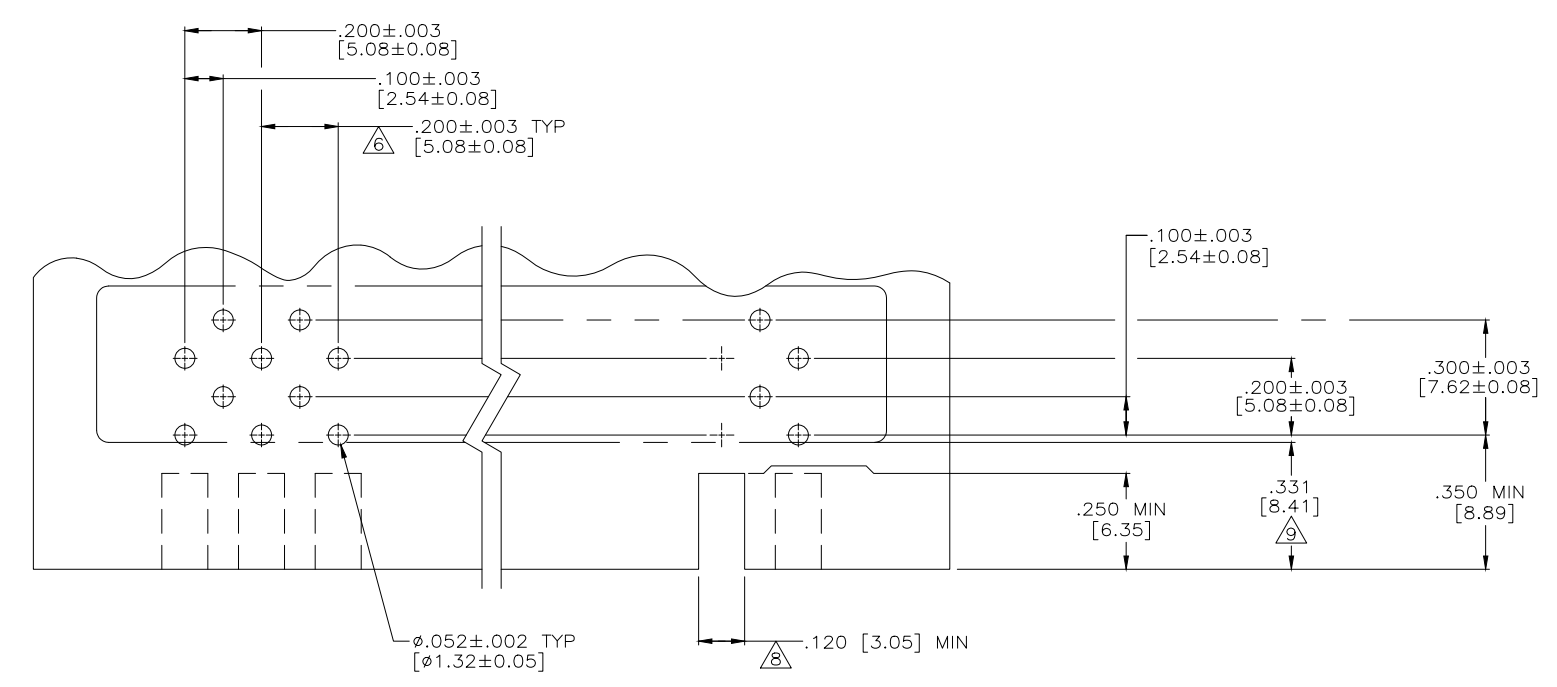


RECOMMENDED P.C. BOARD LAYOUT

THIS DRAWING IS A CONTROLLED DOCUMENT.		DWN RAGHAV SATISH 30JUN2015		
DIMENSIONS: INCHES		CHK CHARLES THOMAS 30JUN2015		
TOLERANCES UNLESS OTHERWISE SPECIFIED:		APVD CHARLES THOMAS 30JUN2015	NAME ASSEMBLY, AMP BLADE TAB HOUSING	
0 PLC ± -		PRODUCT SPEC		
1 PLC ± -		APPLICATION SPEC		
2 PLC ± -				
3 PLC ± .005 [0.13]				
4 PLC ± -				
ANGLES ± -				
MATERIAL	FINISH	WEIGHT	SIZE A1	CAGE CODE 00779
			DRAWING NO 582152	RESTRICTED TO
			CUSTOMER DRAWING	SCALE 4:1 SHEET 1 OF 3 REV AW



VIEW Z-Z



RECOMMENDED P.C. BOARD LAYOUT

THIS DRAWING IS A CONTROLLED DOCUMENT.		DWN RAGHAV SATISH 30JUN2015	
DIMENSIONS: INCHES		CHK CHARLES THOMAS 30JUN2015	
TOLERANCES UNLESS OTHERWISE SPECIFIED:		APPD CHARLES THOMAS 30JUN2015	NAME ASSEMBLY, AMP BLADE TAB HOUSING
0 PLC ± -	1 PLC ± -	PRODUCT SPEC -	APPLICATION SPEC -
2 PLC ± -	3 PLC ± .005 [0.13]	SIZE A1	CAGE CODE 00779
4 PLC ± -	ANGLES ± -	DRAWING NO C=582152	RESTRICTED TO -
MATERIAL SEE SHEET 1	FINISH SEE SHEET 1	WEIGHT -	CUSTOMER DRAWING
		SCALE 4:1	SHEET 2 OF 3
			REV AW

